



General catalogue **2016**



M Y H O M E





Rocal provides the warmth and the touch of class your  
home needs,

with our wood heating systems adapted to any space,  
environment or requirement.

We believe in a sustainable future and trust in renewable energy  
sources to bring comfort to your home.

# Rocal

Rocal has had the same vocation since it was founded in 1982: to create a range of products—metal fireplaces, insert modules, hearths, barbecues...— that lend your home all the comfort of a wood fire.



Our factory is in Centelles, just outside Barcelona.

Our more than 30 years' experience in the home heating industry are the best guarantee of our products' quality.

Backed by the best human and technical team, Rocal is growing daily and expanding its horizons on a national and international scale.



**Quality and design**

Rocal offers a wide range of products for you to choose the one that best suits your home. Our fireplaces are the result of hi-tech manufacturing methods combined with handcrafted finishes. A process in which every attention is paid to detail and only the highest quality materials are used.

We aim to provide functional design that is pleasing to the eye. We want our products to fit in with your projects.



**Innovation and efficiency**

We are committed to continuous product improvement, innovation and efficiency, and that has put our range right out in front. We use the latest technology to achieve optimal performance with minimal emissions, which also means considerable fuel savings.



**Guarantee and safety**

Feel safe in the knowledge that our fireplaces are long-lasting and that our products are tested in compliance with European quality standards.

One of our priority objectives is to ensure safety in your home through quality products and professional distributors and fitters.



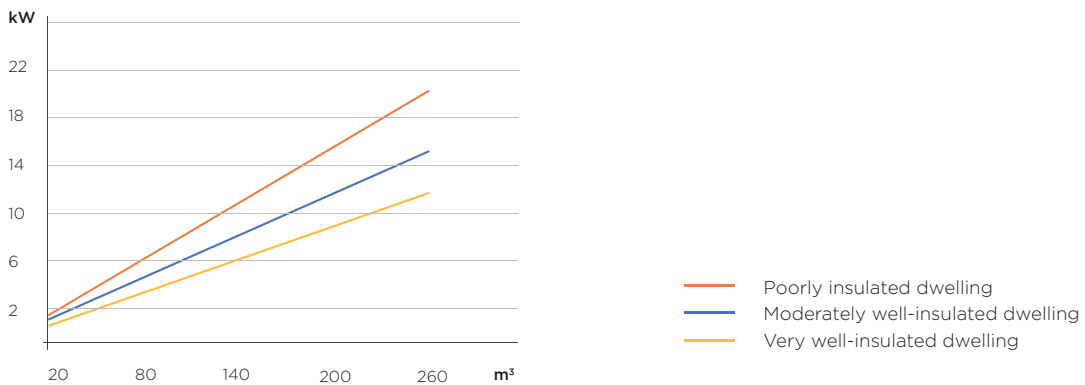
**Wood**

An ecological, economical biomass fuel. A natural fuel that man has used since time began. It is the renewable energy source par excellence. Using wood instead of fossil fuels reduces the greenhouse effect, as it does not increase the carbon dioxide in the atmosphere. Furthermore, wood is easy to find, relatively cheap to obtain and contributes to clearing the forest floor.

Don't forget that wood burns slowly and elegantly and provides that special touch that makes a house a home.



**How do you calculate the output power your dwelling needs?**





6 | 27

/ 1

## Hearths



G series

8	G300/350/400
12	G450/500
14	G505
16	G 45DC
20	G 30 LD/LI
23	G 45 LD/LI
<hr/>	
24	General features
25	Optional items
26	Fitting accessories

28 | 55

/ 2

## Insert modules

30	RCr graffiti 70/70 A/80/100
34	RCr 50V graffiti
36	 RCr 100 TC graffiti
40	 RCr 100 LD/LI graffiti
42	RCr classic 65/70/70A/ 70 cónico/80/100
46	RCr 70 TC classic
48	RCr 70 LD/LI classic
50	Argo 70/80
<hr/>	
52	General features
53	Optional items
54	Fitting accessories

56 | 69

/ 3

## Thermo-fireplaces

Termogar

60	GN 70/LN 70
61	GN 70/LN 70 Simplified
<hr/>	
62	Comparative
64	General features
66	Optional items
67	Fitting accessories
69	How it works





70 | 105 / 4

Fireplaces

72	Born
74	Vertex
76	Oban
78	City
80	Drop
82	D-10
86	D-7
84	D-8
88	D-9
90	Barbara-90
93	Barbara-120
94	<b>NEW</b> Aitana
96	Estela
98	Giselle
100	<b>NEW</b> Gala
102	<b>NEW</b> Prune

104	General features
105	Custom adaptations
105	Direction of slope
105	Measuring the slope
105	Measuring the height

106 | 117 / 5

Stoves

108	Habit TC
112	Habit Frontal graffiti
110	Habit 50V graffiti
114	<b>NEW</b> Hebar

118 | 126 / 6

Barbecues

120	Plek 66 inox
122	Fornells inox jardín
122	Fornells inox porche
124	Palma 75 inox jardín
124	Palma 75 inox porche
126	Standard accessories
126	Custom adaptations

Symbols

127	Symbols
-----	---------





# / 5

---

## Stoves

---

Our stoves incorporate a forced ventilation system for those looking for high output and efficiency with simple installation.

# Habit TC

## FEATURES

Steel combustion chamber.  
 Ash pan removal from front.  
 2-turbine ventilation unit with 2-speed automatic or manual thermostat switch.

Page 52



UNE EN-13240  
 UNE EN-50165

Heat resistant, anti-smoke, anti-odour paint.  
 Glass-ceramic glass.  
 Primary and secondary register.  
 Vermiculite lining.

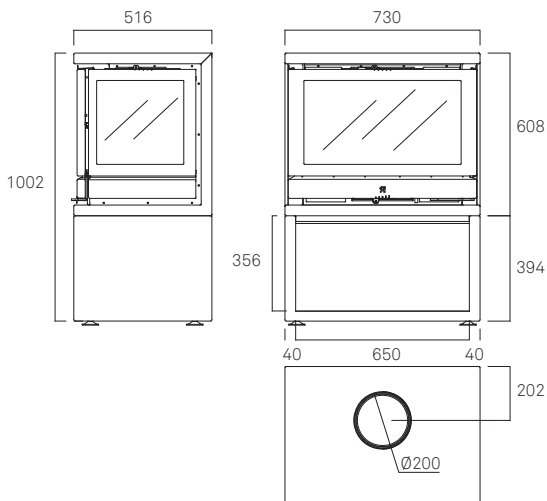
Page 104

## Habit TC (tres caras)

### E2055



73%  
 8,5 kW  
 16 kW  
 0,20%  
 2,8 kg/h  
 164,5 kg  
 40 cm







Habit 50V graffiti









Habit Frontal graffiti



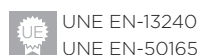
Habit 50V graffiti

# Habit Frontal graffiti

## FEATURES

Reversible front door.  
Steel combustion chamber.  
Ash pan removal from front.  
2-turbine ventilation unit with 2-speed automatic or manual thermostat switch.

Page 52



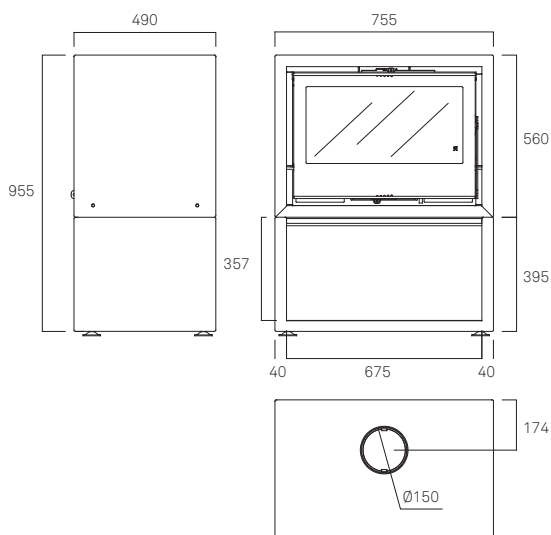
Heat resistant, anti-smoke, anti-odour paint.  
Glass-ceramic glass.  
Primary and secondary register.  
Vermiculite lining.

Page 104

## Habit Frontal graffiti

### E2050

	80%
	7,5 kW
	15 kW
	0,12%
	2,2 kg/h
	149 kg
	45 cm

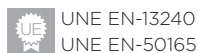


# Habit 50V graffiti

## FEATURES

Steel combustion chamber.  
Ash pan removal from front.  
2-turbine ventilation unit with 2-speed automatic or manual thermostat switch.

Page 52



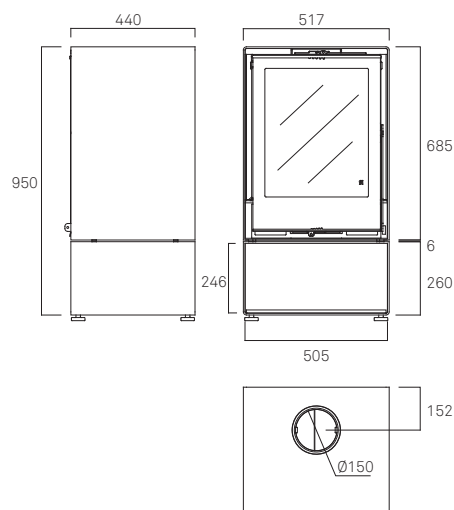
Heat resistant, anti-smoke, anti-odour paint.  
Glass-ceramic glass.  
Primary and secondary register.  
Vermiculite lining.

Page 104

## Habit 50V graffiti

### E2070

	80%
	7 kW
	11 kW
	0,10%
	1,9 kg/h
	194,5 kg
	30 cm





Hebar



## STOVE-OVEN-BARBECUE

# Hebar



Hebar is one of the most complete and efficient products on the market and thanks to its high efficiency, it also has the ability to heat a large area. The same inertia of the stove keeps the heat for cooking in the oven until about 3 hours after the last loading.

### STOVE FEATURES:

External air intake.  
Double combustion.  
Primary and secondary air control.  
Front ash removal.  
Bottom hinged door allows depositing the grid and avoid soiling.

### OVEN FEATURES:

Vitrified steel Oven.  
Steel grill and vitrified steel plate.  
Capacity: 78 litres  
Thermometer included

### BARBECUE FEATURES:

Stainless steel grill

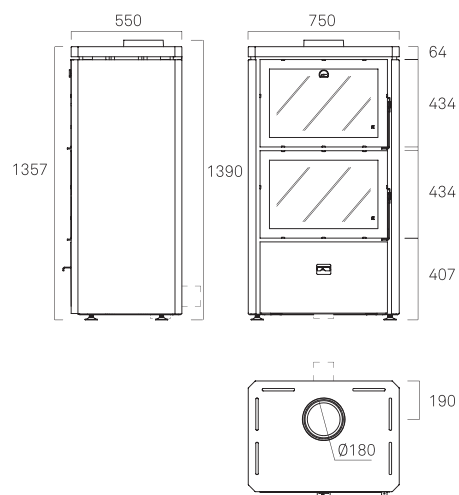
Page 104



### Hebar

#### E3000

$\eta$	80%
nom	14 kW
max	20 kW
CO	0,20%
kg/h	3,5 kg/h
kg	254 kg
cm	45 cm



*"Real Mediterranean style"*





## I Symbols



Efficiency



Rated power kW



Maximum power



CO al 13%O<sub>2</sub> Carbon monoxide emission



Fuel consumption per hour



Weight



Log length



UNE-EN XXXX certified.



New model

© Copyright of this edition held by Manufacturas Rocal, SA.  
All rights reserved. No part of this publication may be reproduced, stored or sent by any means without the permission of Manufacturas Rocal, sa.

Rocal reserves the right to modify any of the features and finishes of its products without prior warning.

**Manufacturas Rocal SA**

Raval Sant Antoni, 2  
08540 Centelles  
Barcelona

**www.rocal.es**

man.rocal@rocal.es  
T +34 93 8812451  
F +34 93 8810631

**Manufacturer**

Manufacturas Rocal SA

**Product design**

Manufacturas Rocal SA and Joan Gaspar

**Decorative frame design**

Berta Noguer

**Graphic design**

Integrum

**Photography**

Integrum  
Foto-disseny JE

**Copyright**

Manufacturas Rocal SA, september 2015

More information  
[www.rocal.es](http://www.rocal.es)





**Manufacturas Rocal SA**

Raval Sant Antoni, 2  
08540 Centelles  
Barcelona

**www.rocal.es**

man.rocal@rocal.es  
T +34 93 8812451  
F +34 93 8810631

